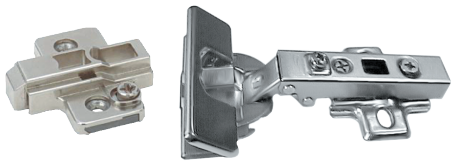


# Custom Service Hardware

## Face Frame Hinges



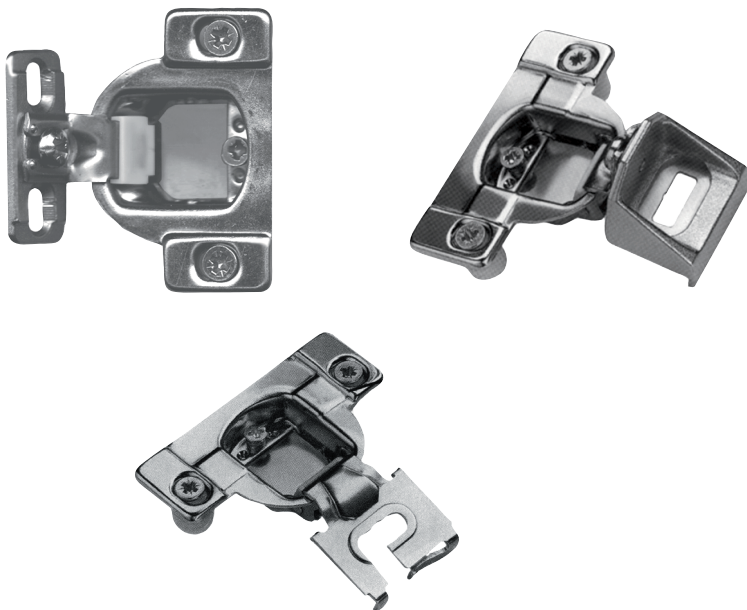
### Intermat Face Frame Hinges

Mounting Plate Thickness or Height

Mounting Plate	Hinge Arm Cranking	0 mm Full Overlay				9.5 mm 1/2 Overlay			
		3	4	5	6	3	4	5	6
3/4 in.	TAB	3	4	5	6	3	4	5	6
	Overlay	16	17	18	19	6.5	7.5	8.5	9.5
1/2 in.	TAB	3	4	5	6	3	4	5	6
	Overlay	11	12	13	14	2.5	3.5	4.5	5.5

TAB = Drilling Dimension

## Optimat One-Piece Face Frame Hinges



Optimat One-Piece Face Frame Hinges allow for easy assembly with minimal hinge protrusion. They have an adjustable closing force, height adjustable to  $\pm 3/16$ ", and are side adjustable  $\pm 1/8$ ". This self-closing hinge can support eight pounds per hinge and offer quiet operation.